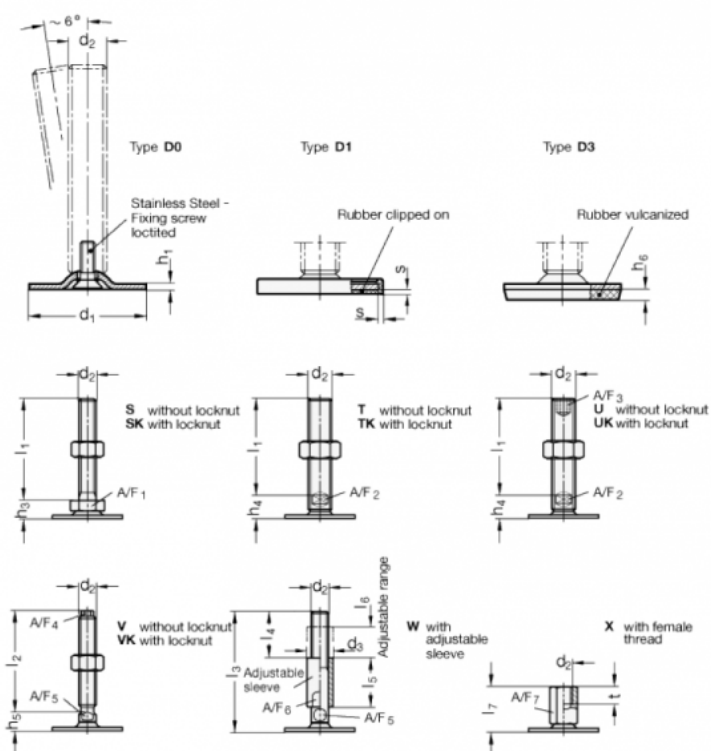


Article number: 204180M20184D3W

Description: E+G levelling foot
GN 41-80-M20-184-D3-W

Note: W With adjustable sleeve , Hygienic Version, Wrench flat at the bottom

Measures



A/F5 = 16	l4 = 56
A/F6 = 24	l5 = 56
d1 = 80	l6 = 37
d2 = M20	s =
d3 = 30	
h1 = 3	
h6 = 5	
l3 = 184	